

# Control Unit

for inductive contact type 831  
single or double function

E 02.62.01

ed.12.01

|                          |  |
|--------------------------|--|
| <b>Design</b>            | Control unit for inductive contact typ 831<br>Single or double function  |
| <b>Supply voltage</b>    | 230 VAC, 45/65 Hz  |
| <b>Ex-IS</b>             | Intrinsically safe EEx ia II C<br>Power rating 3 mH<br>External capacitance 609 nF   |
| <b>Mounting</b>          | Snap-fit on 35 mm x7,5 mm (EN 50 022) rail<br>To be mounted outside EX-area  |
| <b>Material</b>          | Polystrol  |
| <b>Temperature range</b> | -20+60° C  |
| <b>Protection</b>        | IP 20  |
| <b>PTB-certifikat</b>    | PTB 00 ATEX 2081   |
| <b>Single function</b>   | <b>Type KFA6-SR2-Ex1.W</b><br>For inductive contact with single function<br>Input voltage 8 V-, max current 8 mA<br>Control line impedance max 100 Ohm<br>Relay output with one open/closed contact<br>Contact rating 250 VAC, 4 A, 500 VA<br>Delay making circuit 20 ms<br>Delay breaking circuit 20 ms<br>Max on/off frequency 10 Hz |
| <b>Dubble function</b>   | <b>Type KFA6-SR2-Ex2.W</b><br>For inductive contact with double function<br>Input voltage 8 V-, max current 8 mA<br>Control line impedance max 100 Ohm<br>Relay output with 2 open/closed contact<br>Contact rating 250 VAC, 4 A, 500 VA<br>Delay making circuit 20 ms<br>Delay breaking circuit 20 ms<br>Max on/off frequency 10 Hz   |



| Design          | Type                  | Order no |
|-----------------|-----------------------|----------|
| Single function | <b>KFA6-SR2-Ex1.W</b> | 91300000 |
| Double function | <b>KFA6-SR2-Ex2.W</b> | 91310000 |

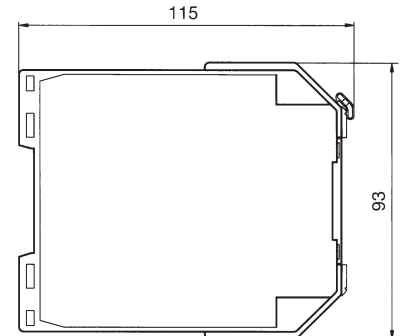
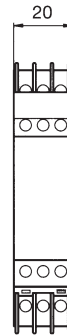
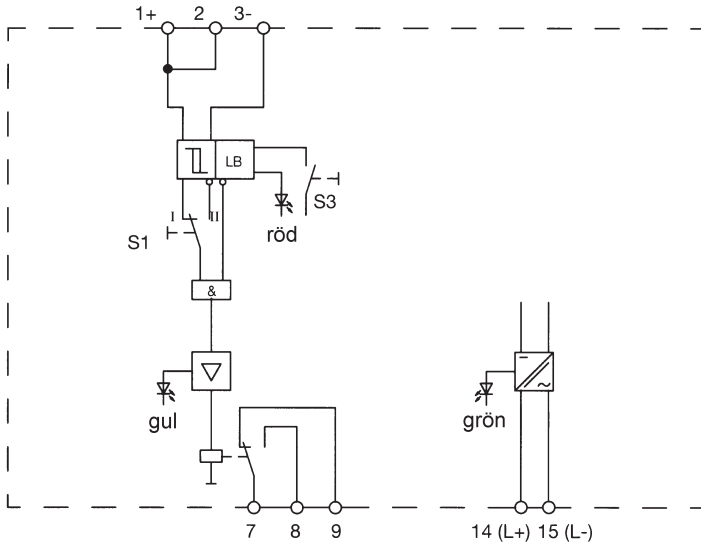
# Control Unit

for inductive contact type 831  
single or double function

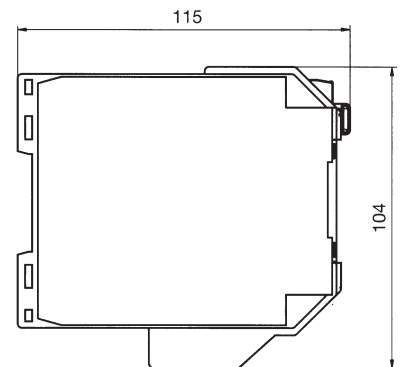
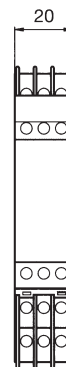
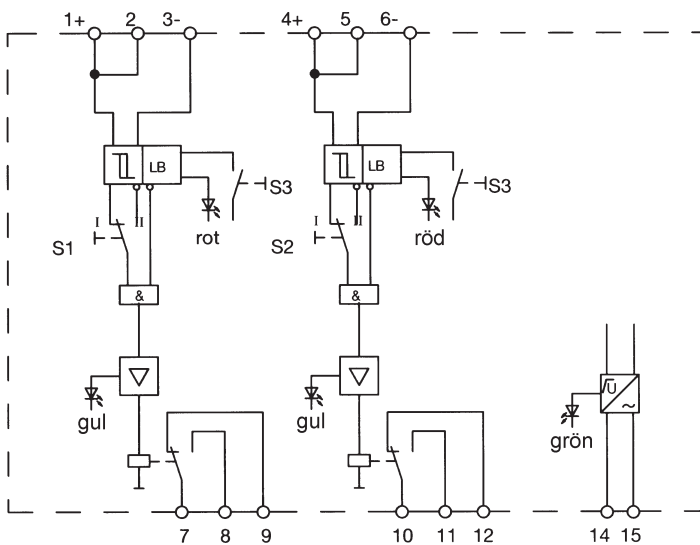
E 02.62.01

ed.12.01

## Control Unit KFA6-SR2-Ex1.W - Single function



## Control Unit KFA6-SR2-Ex2.W - Double function



# Control Unit

for inductive contact type 831  
single or double function

E 02.62.01

ed.12.01

## Electrical connection

Electrical connections for Control unit together with inductive contact type 831.

Control unit type KFA6-SR2-Ex1.W for contact with single function

Control unit type KFA6-SR2-Ex2.W for contact with double functions

Input voltage 8 V-, max current 8 mA

Control line impedance max 100 Ohm

Relay output with one open/closed contact

Contact rating 250 VAC, 4 A, 500 VA

Delay making circuit 20 ms

Delay breaking circuit 20 ms

Max on/off frequency 10 Hz

